

INDICE- INDEX

Descrizione Prodotto	pagina	2 - 15
-----------------------------	---------------	---------------

Prodotti professionali per parrucchieri – Professionelle Friseurprodukte



Mod. 101.04

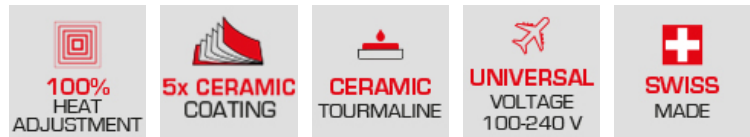
SWISS'X FRISE'

CRIMPER PROFESSIONALE PER VOLUME E TEXTURE

- "Adaptive Heat Control" per una perfetta gestione della temperatura
- Acceso/Spento 230°C
- Piastre a 4 onde sottili e poco profonde con un profilo distintivo per disegni frisé molto ben marcati
- Piastre 24 x 90 mm, lamelle alte 3 mm
- Puntali cool-touch termoisolanti per un utilizzo confortevole e sicuro
- 5 strati di rivestimento ceramico con tormalina per uno styling più scorrevole e sano
- Sistema di piastre flottanti per un perfetto ed uniforme contatto sui capelli
- Riscaldamento ultrarapido
- ThermoCap: custodia di protezione in silicone

termoisolante

- Cordone girevole 3 m



Guarantee card
Garantiekarte
Carte de garantie
Certificato di garanzia
Tarjeta de garantía
Garantiekarte
Certificado de garantia
Garantibevis
Garantibevis
Takuutodistus
Garantibevis
Certificat de garanție
Záruční list
Garancialevél

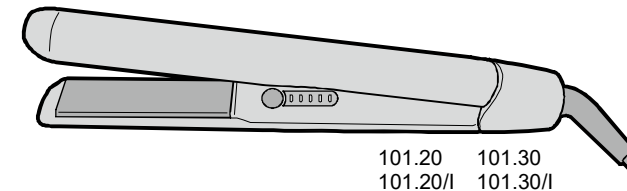
Karta Gwarancyjna
Garancijski list
Πιστοποιητικό εγγύησης
Garanti sertifikası
כתב אחריות
Záručný list
Гаранционная карта
Гарантійний талон
Гарантийный сертификат
شهادة الضمان
保修证书
ضمانتنامه
Garancijska karta

Stamp and signature of dealer
Stempel und Unterschrift des Händlers
Cachet et signature du commerçant
Timbro e firma del rivenditore
Sello y firma del proveedor
Stempel en handtekening van de handelaar
Carimbo e firma do revendedor
Selgerens stempel og underskrift
Återförsäljarens stämpel och namnteckninge
Myyjän leima ja allekirjoitus
Forhandlerens stempel og underskrift
Eladó pecsétje és aláírása
razitko a podpis prodejece
Tampila i semnătura vânzătorului
Pieczęć i podpis sprzedawcy
Σφραγίδα και υπογραφή του πωλητή
Saticinin mühür ve imzası
תאריך קניה
Pečet i podpis dobavljača
Razitko a podpis prodajca
Подпис и печат на продавача:
Печатка и підпис продавця
Печать и подпись продавца
خدم و توقيع البائع
经銷商蓋章
Pečet i podpis distributera

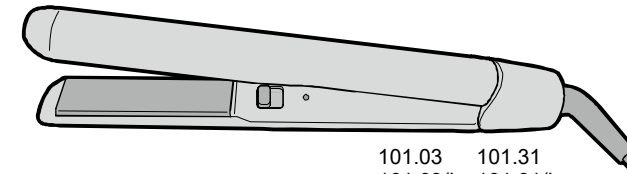
OPERATING INSTRUCTIONS
BEDIENUNGSANLEITUNG
INSTRUCTIONS POUR L'UTILISATION
ISTRUZIONI PER L'USO
INSTRUCCIONES DE EMPLEO
GEBRUIKSAANWIJZING
INSTRUÇÕES DE FUNCIONAMENTO
BRUKSANVISNING
BRUKSANVISNING
KÄYTTÖOHJEET
BRUGSANVISNING
HASZNÁLATI UTASÍTÁS
NÁVOD K POUŽITÍ ŽEHLIČKY NA VLASY
ISTRUCȚIUNI DE OPERARE
INSTRUKCJA UŻYCIA
ΟΔΗΓΙΕΣ ΧΡΗΣΗΣ
KULLANIM TALİMATLARI
מדריך למשתמש
UPUTSTVO ZA UPOTREBU
NÁVOD NA POUŽITIE ŽEHLIČKY NA VLASY
ИНСТРУКЦИЯ ЗА ЕКСПЛОАТАЦИЯ
ИНСТРУКЦІЯ З ЕКСПЛУАТАЦІЇ
ИНСТРУКЦИЯ ПО ЭКСПЛУАТАЦИИ
تعليمات الاستعمال
使用说明
دستور العمل مصرف
UPUTE ZA UPORABU

Hair Straightener	Płyta do wygładzania włosów
Haarglätter	Πλάκα σιδερώματος μαλλιών
Lisseur	Sac utuleme aparati
Piastra stiracapelli	הוראות שימוש למחליקי שיער דגמים
Plancha alisadora de cabello	Presă za kosu
Straighttenger	Žehlička na vlasy
Secador	Преса за коса
Rettetang	Плита для випрямлення
Plattång	Распрямитель для волос
Hiustensuoristin	صفیحة كى الشعر السيراميكية بنظام الصفائح المتحركة
Hårglatningsplader	直发器
Hajformázó vas	آتوي موي حرفه اي
Žehlička na vlasy	Pegla za kosu
Placă de întins părul	

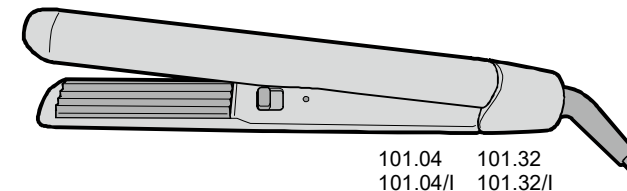
Type 101...



101.20 101.30
101.20/I 101.30/I



101.03 101.31
101.03/I 101.31/I



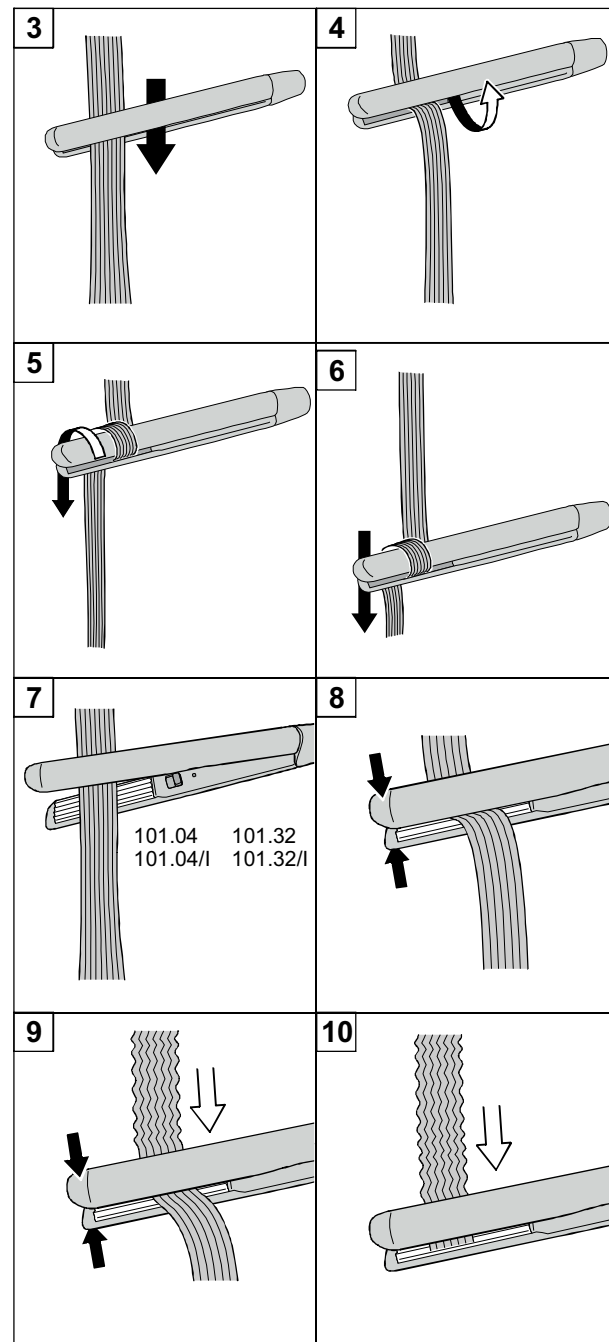
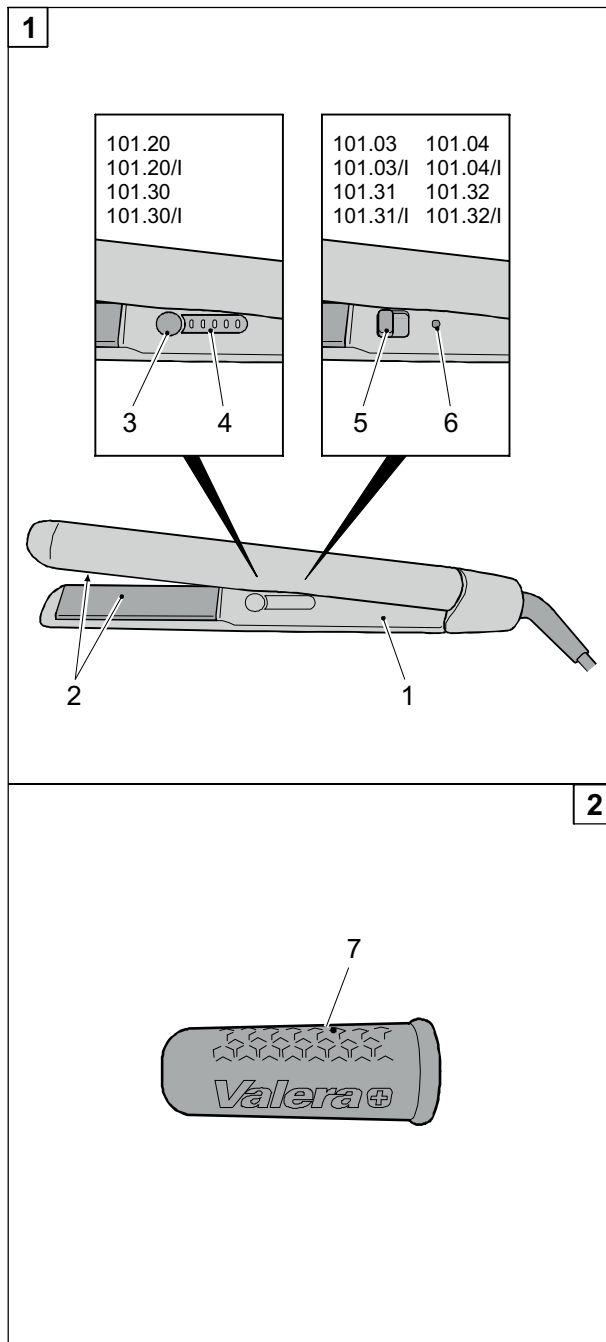
101.04 101.32
101.04/I 101.32/I

00060796-04/2020

Made by Ligo Electric SA - Via Ponte Laveggio, 9
6853 Ligornetto / Mendrisio - Switzerland
Valera is a registered trademark
of Ligo Electric S.A. - Switzerland



(EN)	Hair Straightener	6
(DE)	Haarglätter	9
(FR)	Lisseur	12
(IT)	Piastra stiracapelli	15
(ES)	Plancha alisadora de cabello	18
(NL)	Straighttenger	21
(PT)	Secador	24
(NO)	Rettetang	27
(SV)	Plattång	30
(FI)	Hiustensuoristin	33
(DA)	Hårglatningsplader	36
(HU)	Hajformázó vas	39
(CS)	Žehlička na vlasy	42
(RO)	Placă de întins părul	45
(PL)	Płyta do wygładzania włosów	48
(EL)	Πλάκα σιδερώματος μαλλιών	51
(TR)	Sac utuleme aparati	54
(HE)	הוראות שימוש למחליקי שיער דגמים	57
(SR)	Presă za kosu	60
(SK)	Žehlička na vlasy	63
(BG)	Преса за коса	66
(UK)	Плита для випрямлення	69
(RU)	Распрямитель для волос	72
(AR)	صفیحة كى الشعر السيراميكية بنظام الصفائح المتحركة	75
(ZH)	直发器	78
(FA)	آتوي موي حرفه اي	83
(HR)	Pegla za kosu	84



Service Centers

CH VALERA - Service
Via Ponte Laveggio, 9
6853 Ligornetto / Mendrisio

Other countries www.valera.com/service

English

OPERATING INSTRUCTIONS - Original instructions

Type 101.20, 101.20/I, 101.03, 101.03/I, 101.04, 101.04/I, 101.30, 101.30/I, 101.31, 101.31/I, 101.32, 101.32/I

Read these instructions carefully before using the appliance - Available also on www.valera.com

CAUTION

- Important: In order to guarantee additional protection, it is recommended that a differential breaker with an intervention current not greater than 30 mA is installed in the electrical system which feeds the device. For further information, contact a qualified electrician.
- Make sure the unit is perfectly dry before using it.
- **WARNING:** Do not use this appliance near bathtubs, showers, basins or other vessels containing water.
- This appliance can be used by children from 8 years of age and over, and by persons with limited physical, sensory or mental abilities or who lack the relevant experience and knowledge, if they are suitably supervised or have been educated to use the appliance safely and made aware of the associated risks.
- Do not allow children to play with the appliance.
- Children must not perform cleaning and maintenance procedures unless supervised.
- Burn hazard. Keep the appliance out of reach from young children, particularly during use and cool down.
- Prevent the hot surface on the unit from coming into contact with the face, neck or any other parts of the body. Hold the device by the handle.
- When the appliance is connected to the power supply, never leave it unattended.
- Allow the metal parts to cool down before touching them.
- If the supply cord is damaged, it must be replaced by the manufacturer, its service agent or a similarly qualified person in order to avoid a hazard. Do not use your unit if it is not working properly. Do not try to repair this electrical unit yourself, rather contact an authorized technician.
- When the appliance is used in a bathroom, unplug it after use since the proximity of water presents a hazard even when the appliance is switched off.
- Only connect this unit to alternating current and check that the mains supply voltage corresponds to that indicated on the unit.
- **Never immerse this unit in water or other liquids.**
- **Do not put this unit down where it could fall into water or other liquids.**
- **Do not try to pull any electrical appliance out when it has fallen into water - disconnect the plug from the power socket immediately.**
- **Make sure the unit is perfectly dry before using it.**
- Always place the appliance on a heat-resistant, stable flat surface.

Mod. Nr.

Date of purchase Kaufdatum Date d'achat Data d'acquisto Fecha de adquisición Datum aankoop Data de compra Innkjøpsdato Inkõpsdatum	Ostovpřímá Köbsdato Eladás dátuma Datum prodeje Data cumpărării Data zakupu Ημερομηνία αγοράς Satın alma tarihi כתב אחריות	Datum nabavke Datum nákupu Дата на закупване Дата покупки تاريخ الشراء 購買日期 تاريخ خرید Datum kupnje
--	--	--

Name and full address of purchaser
Name und vollständige Anschrift des Käufers
Nom et adresse complète de l'acheteur
Nome e indirizzo completo dell'acquirente
Nombre y dirección completa del comprador
Naam en adres van de consument
Nome e endereço do cliente
Kjøperens fullstendige navn og adresse
Köparens namn och fullständig adress
Ostajan nimi ja täydellinen osoite
Køberens fulde navn og adresse
Vevó neve és teljes címe
Jméno a adresa zákazníka
Numele i adresa completă a cumpărătorului
Nazwisko oraz pełny adres kupującego
Όνομα, επώνυμο και πλήρης διεύθυνση του αγοραστή
Alicinin tam ismi ve adresi
תאריך קניה
Ime i adresa dobavljača
Meno a celá adresa kupujúceho/zákazníka
Име, фамилия и полный адрес покупателя
Провише, име, по батвокои и полова адреса покупача
Фамилия/Имя и полный адрес покупателя
اسم المشتري و عنوانه الكامل
購買人完整姓名和地址
نام و نشانی کامل خریدار
Ime i adresa kupca

- After use always switch the unit off and remove the plug from the power supply socket. Do not pull on the wire to remove the plug from the power supply socket. Do not pull the plug out of the power supply socket when your hands are wet.
 - Always allow the unit to cool before putting it away and never wrap the cord around the unit.
 - Check that the cord has not been damaged from time to time.
 - Prevent the cord from coming into contact with the metal parts while these are still hot.
 - Use the unit on dry hair.
 - Do not use this unit on wigs that have synthetic hair.
 - The elements used to pack the unit (plastic bags, cardboard box, etc.) must be kept out of reach of children as they are a potential danger to them.
 - This unit must only be used for the purposes for which it is expressly intended. Any other use is to be considered improper and therefore dangerous. The manufacturer accepts no responsibility for damage caused by improper or erroneous use.
 - Do not use hair spray while the unit is running.
 - Keep the plates clean and free of dust, hair spray, styling gel, etc.
 - To avoid dangerous overheating, it is advisable to unwind the entire length of the cord.
 - The A-weighted sound pressure level of the hair straighteners for professional use is below 70 dB(A).
 - Designation of the appliance (see technical product specifications)
- HAND-HELD HAIR STRAIGHTENER FOR PROFESSIONAL USE**

OPERATING INSTRUCTIONS

Parts (Fig. 1,2)

1. Appliance
2. Straightening plates
3. ON-OFF and temperature control switch (Type 101.20, 101.20/I, 101.30, 101.30/I)
4. Display (Type 101.20, 101.20/I, 101.30, 101.30/I)
5. ON-OFF switch (Type 101.03, 101.03/I, 101.04, 101.04/I, 101.31, 101.31/I, 101.32, 101.32/I)
6. ON-OFF indicator light (Type 101.03, 101.03/I, 101.04, 101.04/I, 101.31, 101.31/I, 101.32, 101.32/I)
7. Thermocap accessory

Switching the appliance on and off

Type 101.20, 101.20/I, 101.30, 101.30/I

To switch the appliance on, simply plug it in to an electrical socket, then press and hold the ON-OFF switch (fig. 1, ref. 3) for one second. Appliance power-on is indicated by a short beep.

To switch it off, press and hold the ON-OFF button (fig. 1, ref. 3) for 2 seconds again and remove the plug from the socket. Power-off is indicated by a beep.

Type 101.03, 101.03/I, 101.04, 101.04/I, 101.31, 101.31/I, 101.32, 101.32/I

To switch on the appliance, simply plug it into a mains power socket and set the switch (fig. 1, ref. 5) to I. To switch it off, set the switch (fig. 1, ref. 5) to 0 and unplug it.

Temperature settings

Only for Type 101.20, 101.20/I, 101.30, 101.30/I

To select the temperature setting, after switching on the appliance press the ON-OFF button one or more times (fig. 1, ref. 3) until the desired temperature appears on the display (fig. 1, ref. 4). The set value flashes until the selected temperature has been reached.

You can choose different temperatures according to hair type, from the minimum setting of 120°C (250°F) to a maximum of 230°C (450°F).

Wait for the selected temperature to be reached, then begin styling the hair.

AUTOMATIC DEACTIVATION OF SAFETY and "HOT" FUNCTION

Only for Type 101.20, 101.20/I, 101.30, 101.30/I

The appliance switches off automatically 60 minutes after it was switched on or after the last temperature setting was selected.

When this time has elapsed, 5 beeps will sound to indicate that the appliance is switching itself off. While these beeps are sounding, if you want to carry on using the appliance for another 60 minutes, press the ON-OFF button (fig. 1, ref. 3).

When the 60-minute period has elapsed, if the power button (fig. 1, ref. 3) is not activated again, a longer beep (2 sec.) indicates that the appliance has switched off and the straightening plates (fig. 1, ref. 2) begin to cool down; the temperature of 120°C (250°F) flashes on the display until the metal plates have cooled enough that they would not cause burns on contact. ("HOT" function).

MEMORY FUNCTION

Only for Type 101.20, 101.20/I, 101.30, 101.30/I

When the appliance is switched off, the last temperature setting is stored in the memory and remains active the next time it is switched on.

ION FUNCTION

Only for Type 101.20/I, 101.03/I, 101.04/I, 101.30/I, 101.31/I, 101.32/I

This product also has the "ION" function, which is always active during operation. The appliance produces a flow of negative ions.

The ion generator may emit a slight humming noise, but this is perfectly normal.

What are ions?

Ions are electrically charged particles found in nature. Negatively charged ions help to purify the air by neutralizing the positively charged ions that, by contrast, reduce its quality by retaining in the atmosphere many polluting agents.

An abundance of negatively charged ions can be found after a thunder storm or at the seaside or in the mountains, close to waterfalls and waterways where the feeling of well-being is due to the increased presence of pure, natural, revitalizing air.

Improved hydration of hair

Negatively charged ions help to maintain the proper hydration of your hair.

Conditioning effect on the hair

Improved hydration assists with the conditioning of your hair, has a regenerating effect and makes it softer and easier to comb, with greater volume and shine.

No electrostatic charge or "fly away"

Negatively charged ions help to reduce static electricity, the "fly away" effect and unwanted frizzles.

Important: never leave the appliance unattended when it is turned on.

OPERATING TIPS

- Recommended temperatures:
 - up to 150°C (305°F) for fine, straight and coloured hair
 - up to 180°C (360°F) for fine, wavy hair
 - up to 230°C (450°F) for thick, curly hair
- Hair that has just been washed and dried can be styled better.
- The first few times you use this unit it is advisable to practice on small areas of your hair.

This appliance is designed to smooth, straighten and style your hair, leaving shinier. To use the appliance proceed as follows: let the appliance heat until it reaches the desired temperature. Separate your hair into sections about 5 cm wide. Put one section at a time between the smoothing irons and close the irons by exerting force on the handles.

To obtain a **straightening effect**: slide the irons slowly through your hair from the roots to the ends (fig.3). If necessary repeat this operation until the required effect is created.

To obtain **tight or loose curls** proceed as shown in figures 4, 5, 6.

Let your hair cool before combing or brushing.

Please note: prolonged and repeated use of the appliance at high temperatures may result in a long-term straightened effect. This means each individual hair will struggle to regain its natural wave.

Only for Type 101.04, 101.04/I, 101.32, 101.32/I

To create the "Crimped" effect, take a section of hair and place it between the plates, starting from the root. (fig. 7).

Hold the plates over each section for a few seconds. (Fig. 8). For a continuous ridged effect, place the plate on the last ridge of the previous section. (Fig. 9,10). Leave as is for a sharp finish. For a softer effect loosen with your fingers or brush for more volume.

Thermocap accessory

The ThermoCap accessory (fig. 2, ref. 7) is a silicone protection cap for the straightening plates (fig. 1, ref. 2) providing heat protection for safe and immediate storage after use.

CLEANING AND MAINTENANCE

Always remove the plug from the power socket before beginning to clean the unit!

Let it cool completely before cleaning it.

This unit can be cleaned using a damp cloth, but it must never be immersed in water or any other liquid!

This appliance conforms to European Directives 2014/30/EU, 2014/35/EU, 2011/65/EC, 2009/125/EC and Regulation (EC) No. 1275/2008.



GUARANTEE


VALERA guarantees the appliance you have bought at following conditions:

1. The guarantee conditions for this appliance are as defined by our dealer in the country of sale. In Switzerland and the countries of the European Union, the warranty period is 24 months if the final purchaser is a private person (domestic use) and 12 months if the final purchaser is a company or business or professional (professional use). The guarantee period starts from the date of purchase as stated on the present guarantee card regularly filled out and stamped by the dealer or on the sale's invoice.
2. The guarantee is applicable only against submission of the present guarantee card or the sale's invoice.
3. The guarantee covers the elimination of all defects arisen during the guarantee period resulting from proven faults in material or workmanship. The elimination of the defects will be made either by repairing the appliance or exchanging it. The guarantee does not cover any damage arising from incorrect connection to the power supply, improper use, breakage, normal wear and non-compliance with the Instructions for Use.
4. All other claims of any nature, including those for eventual damages outside of the appliance, are excluded, unless our liability is legally mandatory.
5. The guarantee service is carried out free of charge; it does not affect the expiry date of the guarantee.
6. The guarantee becomes void if repairs are undertaken by unauthorized persons.

For UK only: this guarantee in no way affects your rights under statutory law.

In case of defect, please return the appliance well packed and together with the guarantee card regularly dated and stamped to one of our Valera Service Centres or to the dealer who will send it to the official importer for the guarantee service.



The symbol  on the product or on its packaging indicates that this product may not be treated as household waste. Instead it shall be handed over to the applicable collection point for the recycling of electrical and electronic equipment. By ensuring this product is disposed of correctly, you will help prevent potential negative consequences for the environment and human health, which could otherwise be caused by inappropriate waste handling of this product. For more detailed information about recycling of this product, please contact your local city office, your household waste disposal service or the shop where you purchased the product.

VALERA is a registered trade mark of
Ligo Electric S.A. - Switzerland

BEDIENUNGSANLEITUNG - Originalbedienungsanleitung

Type 101.20, 101.20/I, 101.03, 101.03/I, 101.04, 101.04/I, 101.30, 101.30/I, 101.31, 101.31/I, 101.32, 101.32/I

Bitte lesen Sie die folgende Bedienungsanleitung vor dem Gebrauch des Gerätes aufmerksam durch.

Verfügbar auch auf www.valera.com

SICHERHEITSHINWEISE

- Wichtig: als zusätzlicher Schutz wird die Installation einer Fehlerstromschutzeinrichtung (RCD) mit einem Bemessungsauslösestrom von nicht mehr als 30 mA im Badezimmerstromkreis empfohlen. Lassen Sie sich von Ihrem Elektroinstallateur beraten.
- Stellen Sie sicher, dass das Gerät völlig trocken ist, bevor Sie es benutzen.
-  **ACHTUNG:** Benutzen Sie dieses Gerät nicht in der Nähe von Badewannen, Waschbecken oder sonstigen mit Wasser gefüllten Behältern.
- Diese Geräte können von Kindern ab 8 Jahren sowie von Personen mit reduzierten physischen, sensorischen oder mentalen Fähigkeiten oder Mangel an Erfahrung und/oder Wissen benutzt werden, wenn sie beaufsichtigt oder bzgl. des sicheren Gebrauchs des Gerätes unterwiesen wurden und die daraus resultierenden Gefahren verstanden haben.
- Kinder dürfen nicht mit dem Gerät spielen.
- Reinigung und Wartung dürfen nicht durch Kinder durchgeführt werden, es sei denn sie sind beaufsichtigt.
- Verbrennungsgefahr. Bewahren Sie das Gerät außerhalb der Reichweite kleiner Kinder auf. Dies gilt insbesondere für die Zeit der Nutzung und Abkühlung.
- Vermeiden Sie, heiß gewordene Teile des Geräts mit dem Gesicht, dem Hals oder anderen Körperteilen zu berühren. Halten Sie das Gerät stets an seinem Griff.
- Das an das Stromnetz angeschlossene Gerät niemals unbeaufsichtigt lassen.
- Lassen Sie die Metallteile erst abkühlen, bevor Sie sie berühren.
- Verwenden Sie Ihr Gerät nicht, wenn eine Störung aufgetreten ist. Versuchen Sie niemals, das Gerät selbst zu reparieren, sondern wenden Sie sich an einen Techniker. Wenn die Netzanschlussleitung dieses Gerätes beschädigt wird, muss sie durch den Hersteller oder seinen Kundendienst oder eine ähnlich qualifizierte Person ersetzt werden, um Gefährdungen zu vermeiden.
- Wenn das Gerät in einem Badezimmer benutzt wird, ziehen Sie den Netzstecker, wenn Sie es nicht mehr benutzen, da die Nähe von Wasser auch bei ausgeschaltetem Gerät eine Gefahr darstellt.
- Betreiben Sie das Gerät ausschließlich mit Wechselstrom und prüfen Sie, dass die Versorgungsspannung mit der auf dem Gerät angegebenen übereinstimmt.
- **Tauchen Sie das Gerät nicht in Wasser oder andere Flüssigkeiten.**
- **Legen Sie das Gerät nicht an einem Ort ab, von dem es in Wasser oder andere Flüssigkeiten fallen könnte.**
- **Versuchen Sie nicht, ein in Wasser gefallenes Gerät wieder herauszunehmen, bevor Sie nicht den Netzstecker gezogen haben!**

- Das Gerät stets auf einer hitzebeständigen, stabilen und flachen Oberfläche ablegen.
- Ziehen Sie nach Gebrauch Ihres Gerätes stets den Netzstecker, wobei Sie nicht an der Geräteschnur ziehen sollten.
- Ziehen Sie den Netzstecker nicht mit nassen Händen aus der Steckdose.
- Lassen Sie das Gerät erst abkühlen, bevor Sie es weglegen und wickeln Sie niemals das Kabel um das Gerät. Kontrollieren Sie von Zeit zu Zeit, dass das Kabel nicht beschädigt ist.
- Vermeiden Sie, dass das Kabel mit noch heißen Metallteilen des Geräts in Berührung kommt.
- Verwenden Sie das Gerät stets auf trockenem Haar.
- Verwenden Sie das Gerät nicht für Perücken aus Kunsthaar.
- Verpackungsteile des Gerätes (Plastiktüten, Kartons, usw.) nicht in Reichweite von Kindern lassen. Sie stellen eine potentielle Gefahr dar.
- Dieses Gerät darf nur für solche Zwecke benutzt werden, für die es eigens entwickelt wurde. Jeder bestimmungsfremde Gebrauch stellt eine potentielle Gefahr dar. Der Hersteller haftet nicht für durch Missbrauch eventuell verursachte Schäden.
- Verwenden Sie keine Sprays, während das Gerät eingeschaltet ist.
- Halten Sie die Platten von Staub, Haarspray, Haargel usw. sauber.
- Strecken Sie das Kabel auf seine ganze Länge aus, da es sonst zu einer gefährlichen Überhitzung kommen kann.
- Der Schalldruckpegel liegt bei den professionellen Glätteisen unter 70 dB (A).

- Gerätebezeichnung (siehe technische Produktdaten)

HAND-HELD HAIR STRAIGHTENER FOR PROFESSIONAL USE

Übersetzung:

HAND-HAARGLÄTTER FÜR PROFESSIONELLEN EINSATZ

GEBRAUCHSANLEITUNG

Geräteteile (Abb. 1, 2)

1. Gerät
2. Heizplatten
3. ON/OFF-Schalter und Temperatureinstellung (Type 101.20, 101.20/I, 101.30, 101.30/I)
4. Display (Type 101.20, 101.20/I, 101.30, 101.30/I)
5. ON-OFF Schalter (Type 101.03, 101.03/I, 101.04, 101.04/I, 101.31, 101.31/I, 101.32, 101.32/I)
6. ON/OFF-Leuchtanzeige (Type 101.03, 101.03/I, 101.04, 101.04/I, 101.31, 101.31/I, 101.32, 101.32/I)
7. Thermocap

Gerät ein- und ausschalten

Type 101.20, 101.20/I, 101.30, 101.30/I

Um das Gerät einzuschalten, den Stecker in die Steckdose stecken und den ON-OFF-Schalter eine Sekunde lang drücken (Abb. 1, Pos. 3). Bei Einschaltung des Geräts ertönt ein kurzes akustisches Signal.

Zum Ausschalten den ON-OFF-Schalter (Abb. 1, Pos. 3) erneut für 2 Sekunden drücken und den Netzstecker ziehen. Bei der Ausschaltung ertönt ein akustisches Signal.

Type 101.03, 101.03/I, 101.04, 101.04/I, 101.31, 101.31/I, 101.32, 101.32/I

Zur Einschaltung des Geräts einfach den Stecker in die Steckdose stecken und den Schalter (Abb. 1, Ref. 5) auf I stellen. Zum Ausschalten den Schalter (Abb. 1, Ref. 5) auf 0 stellen und den Stecker aus der Steckdose ziehen.

Temperaturwahl

Nur für Type 101.20, 101.20/I, 101.30, 101.30/I

Betätigen Sie zur Auswahl der Betriebstemperatur nach dem Einschalten des Gerätes einmal oder mehrmals die ON/OFF-Taste (Abb. 1, Ref. 3), bis am Display (Abb. 1, Ref. 4) die gewünschte Temperatur angezeigt wird. Der eingestellte Wert blinkt solange, bis die gewählte Temperatur erreicht ist.

Je nach zu behandelndem Haartyp können unterschiedliche Temperaturen von mindestens 120 °C (250 °F) bis maximal 230 °C (450 °F) gewählt werden. Warten Sie, bis das Gerät die angewählte Temperatur erreicht; danach können Sie Ihr stylen.

AUTOMATISCHE SICHERHEITSABSCHALTUNG UND "HOT"-FUNKTION

Nur für Type 101.20, 101.20/I, 101.30, 101.30/I

Das Gerät schaltet sich 60 Minuten nach der Einschaltung oder letzten Temperatureinstellung automatisch ab.

Nach Ablauf dieser Zeit weisen 5 akustische Signale auf die bevorstehende Abschaltung des Geräts hin. Möchten Sie den Betrieb um weitere 60 Minuten verlängern, drücken Sie die ON/OFF-Taste (Abb. 1, Ref. 3), während die akustischen Signale ertönen.

Wird nach Ablauf der 60 Minuten die Einschalttaste (Abb. 1, Ref. 3) nicht erneut betätigt, zeigt ein längeres akustisches Signal (2 Sek.) die Abschaltung des Geräts an und die Glätteisen (Abb. 1, Ref. 2) beginnen sich abzukühlen; am Display blinkt die Temperatur von 120 °C (250 °F), bis die Temperatur soweit abgekühlt ist, dass man sich nicht mehr an den Metallplatten verbrennen kann. (Funktion „HOT“)

SPICHERFUNKTION

Nur für Type 101.20, 101.20/1, 101.30, 101.30/1
Bleibt die zuletzt eingestellte Temperatur beim Abschalten des Gerätes gespeichert und wird bei der nächsten Einschaltung direkt angewählt.

FUNKTION ION

Nur für Type 101.20/1, 101.03/1, 101.04/1, 101.30/1, 101.31/1, 101.32/1

Dieses Gerät verfügt über eine Ionenfunktion die bei eingeschaltetem Gerät immer aktiv ist und einen negativen Ionenstrom erzeugt. Ein leichtes Brummen des Ionen-Generators ist eine normale Erscheinung.

Was sind Ionen?

Ionen sind in der Natur vorhandene elektrisch geladene Teilchen. Die negativ geladenen Ionen helfen die Luft zu reinigen, indem sie die positiv geladenen Ionen unwirksam machen. Positiv geladene Ionen dagegen halten den grössten Teil der sich in der Luft befindenden Schmutzteilchen und tragen deshalb zur Luftverschmutzung bei.

Eine grosse Menge von Ionen mit negativer Ladung gibt es nach einem Gewitter, sowie am Meer oder in den Bergen, in der Nähe von Wasserfällen und Wasserläufen, wo man sich wohl fühlt, weil dort die Luft reiner, natürlicher und erfrischender ist.

Idealer Feuchtigkeitszustand der Haare

Negativ geladene Ionen helfen, dass die Haare ihren lebensnotwendigen Feuchtigkeitsgrad bewahren.

Pflegeeffekt

Der höhere Feuchtigkeitsgrad macht die Pflege der Haare leichter, weil er sie weicher und daher leichter kämmbar macht und ihnen mehr Volumen und Glanz gibt.

Keine elektrostatiscbe Ladung oder hochstehende Haare.

Die Ionen mit negativer Ladung helfen der statische Elektrizität, den „Fly-away-Effekt“ (abstehende Haare) und die Kräuselungen der Haare zu reduzieren.

Wichtig: Lassen Sie das eingeschaltete Gerät niemals unbeaufsichtigt.

NÜTZLICHE TIPPS

- Empfohlene Temperaturen:
bis 150 °C (305°F) für feines, glattes, coloriertes Haar
bis 180 °C (360°F) für feines, gewelltes Haar
bis 230 °C (450°F) für starkes, lockiges Haar
- Die besten Resultate erzielen Sie mit frisch gewaschenem und trockenem Haar.
- Am besten behandeln Sie am Anfang zunächst kleine Haarpartien.

Dieses Gerät ist zum Entkräuseln, Glätten und Stylen Ihres Haares ausgelegt und verleiht ihm seidigen Glanz. Gebrauch: Warten, bis das Gerät die gewünschte Temperatur erreicht hat. Teilen Sie das Haar in ca. 5 cm breite Strähnen. Legen Sie jeweils eine Strähne zwischen die Glättplatten und schließen Sie das Gerät, indem Sie die Griffe fest zusammendrücken.

Ziehen Sie die Platten nun langsam von den Haarwurzeln zu den Haarspitzen hin, um die Strähnen zu glätten (abb.3). Wiederholen Sie diese Operation ggf. bis zum Erreichen der gewünschten Wirkung.

Die Abbildungen 4, 5 und 6 zeigen, wie das Haar gekräuselt und in Locken gelegt wird.

Lassen Sie das Haar abkühlen, bevor Sie es kämmen oder bürsten.

Wichtig: Der fortgesetzte und wiederholte Gerätegebrauch bei Hochtemperaturen kann einen langfristigen Effekt des Glätteisens bewirken. In diesen Fällen erlangt das Haar seine natürliche Wellung nur allmählich zurück.

Nur für Type 101.04, 101.04/1, 101.32, 101.32/1

Für den Frisé-Effekt eine Strähne abtrennen und diese ausgehend vom Haaransatz in das Glätteisen einlegen. (Abb. 7).

Lassen Sie die Platten vom Haaransatz bis zu den Spitzen jeweils einige Sekunden auf jeden Abschnitt einwirken (abb. 8).

Um einen kontinuierlichen Welleneffekt zu erzielen, muss die Platte jeweils an der letzten Welle des letzten Strähnenabschnitts ansetzen werden (abb. 9,10).

Falls ein akzentuiertes Finish erwünscht ist, wird das Styling keiner weiteren Behandlung unterzogen. Lockern Sie die Frisur mit den Fingerspitzen auf, um eine weichere Wirkung zu erzielen, oder bürsten Sie das Haar, um der Frisur mehr Volumen zu verleihen.

Thermocap

Der Thermocap-Aufsatz (Abb. 2, Pos. 7) ist eine Silikon-Schutzkappe für die Glättplatten (Abb. 1, Pos. 2), der Hitzeschutz und damit die sichere Aufbewahrung sofort nach dem Gebrauch gewährleistet.

REINIGUNG UND PFLEGE

Ziehen Sie vor dem Reinigen des Geräts immer den Netzstecker!

Das Gerät vor dem Reinigen abkühlen lassen.

Reinigen Sie das Gerät mit einem feuchten Tuch und tauchen Sie es niemals in Wasser oder andere Flüssigkeiten!

Dieses Gerät erfüllt die Bestimmungen der europäischen Richtlinien 2014/30/EU, 2014/35/EU, 2011/65/EC, 2009/125/EC und der Verordnung (EC) Nr. 1275/2008.




GARANTIEBEDINGUNGEN

VALERA leistet für dieses Gerät – zusätzlich zu der gesetzlichen Gewährleistung des Händlers aus Kaufvertrag - dem Endabnehmer gegenüber eine Garantie zu nachstehenden Bedingungen:

1. Für dieses Gerät gelten die Garantiebedingungen unseres Händlers im Verkaufsland. In der Schweiz und den Ländern der Europäischen Union beträgt die Gewährleistungsfrist 24 Monate, wenn der Endabnehmer eine Privatperson ist (Hausgebrauch) und 12 Monate, wenn der Endabnehmer ein Unternehmen, ein Gewerbetreibender oder ein Freiberufler ist (professioneller Gebrauch). Die Garantiezeit beginnt am Kauftag des Gerätes, der durch die ausgefüllte Garantiekarte oder einen sonstigen Kaufbeleg nachzuweisen ist.
2. Die Garantie wird nur bei Vorlage der Garantiekarte oder eines Kaufbeleges geleistet.
3. Die Garantieleistung umfasst die Behebung aller innerhalb der Garantiezeit auftretenden Mängel des Gerätes, die nachweislich auf Material- oder Fertigungsfehlern beruhen. Die Behebung der Mängel kann nach unserer Wahl durch Instandsetzung oder durch Umtausch des Gerätes erfolgen. Nicht unter Garantie fallen Mängel oder Schäden, die durch nicht vorschriftsmässigen Anschluss, durch unsachgemässe Handhabung sowie durch Nichtbeachtung der Gebrauchsanleitung entstanden sind.
4. Weitere Ansprüche irgendwelcher Art, insbesondere solche auf Ersatz ausserhalb des Gerätes entstandener Schäden, sind – soweit die Haftung nicht zwingend gesetzlich angeordnet ist – ausgeschlossen.
5. Die Garantieleistungen werden ohne Berechnung durchgeführt; sie bewirken weder eine Verlängerung noch einen Neubeginn der Garantiezeit.
6. Diese Garantie erlischt bei Eingriff nicht autorisierter Stellen.

Sollten Sie die Garantie in Anspruch nehmen müssen, dann senden Sie bitte das defekte Gerät gut verpackt an eine unserer autorisierten Service-Stellen. Vergessen Sie nicht, unbedingt die Garantiekarte und/oder den Kaufbeleg beizufügen, da ohne diese keine Garantieleistung erfolgen kann.



Das Symbol  auf dem Produkt oder seiner Verpackung weist darauf hin, dass dieses Produkt nicht als normaler Haushaltsabfall zu behandeln ist, sondern an einem Sammelpunkt für das Recycling von elektrischen und elektronischen Geräten abgegeben werden muss. Durch Ihren Beitrag zum korrekten Entsorgen dieses Produktes schützen Sie die Umwelt und die Gesundheit Ihrer Mitmenschen. Umwelt und Gesundheit werden durch falsches Entsorgen gefährdet. Weitere Informationen über das Recycling dieses Produktes erhalten Sie von Ihrem Rathaus, Ihrer Müllabfuhr oder dem Geschäft, in dem Sie das Produkt gekauft haben.

VALERA ist eine eingetragene Schutzmarke der Ligo Electric S.A. - Schweiz


INSTRUCTIONS POUR L'UTILISATION - Instructions originales

Type 101.20, 101.20/I, 101.03, 101.03/I, 101.04, 101.04/I, 101.30, 101.30/I, 101.31, 101.31/I, 101.32, 101.32/I

Lire attentivement les instructions suivantes avant d'utiliser le lisseur.

Disponible aussi sur www.valera.com

CONSEILS DE SECURITE

- Important: pour garantir une protection supplémentaire, il est conseillé d'installer dans l'installation électrique alimentant l'appareil un interrupteur différentiel avec un courant d'intervention ne dépassant pas 30 mA. Contactez votre électrotechnicien de confiance pour tout renseignement complémentaire.
- Vérifiez que l'appareil soit complètement sec avant de l'utiliser
-  • **ATTENTION:** ne pas utiliser cet appareil à proximité de baignoires, de lavabos ou autres récipients contenant de l'eau.
- Il est requis un âge minimum de 8 ans pour l'utilisation de cet appareil. L'utilisation de cet appareil par des personnes aux capacités physiques, sensorielles ou mentales réduites est fortement déconseillée à moins qu'elles soient surveillées ou qu'elles aient été instruites correctement quant à l'utilisation de l'appareil de la part de tiers.
- Le nettoyage et l'entretien de l'appareil ne doivent pas être effectués par des enfants non surveillés.
- Les enfants ne doivent pas jouer avec l'appareil.
- Risque de brûlure. Ne pas laisser l'appareil à portée de main de jeunes enfants, en particulier pendant qu'il est utilisé et qu'il refroidit
- Évitez le contact des surfaces chaudes de l'appareil avec le visage, le cou ou d'autres parties du corps. Tenir l'appareil par son manche.
- Lorsque l'appareil est connecté à l'alimentation, ne jamais le laisser sans surveillance.
- Laissez refroidir les pièces métalliques avant de les toucher.
- N'utilisez pas l'appareil s'il présente des anomalies. N'essayez pas de réparer vous-même l'appareil électrique, adressez-vous à un technicien agréé. Tout cordon d'alimentation endommagé doit être remplacé par le fabricant, son service d'assistance technique ou par une personne ayant une compétence analogue de façon à éviter tout risque.
- En cas d'utilisation de l'appareil dans une salle de bains, le débrancher après utilisation car la présence d'eau dans la même pièce représente un danger, même si l'appareil est éteint.
- Reliez l'appareil à une prise de courant alternatif et contrôlez que la tension de réseau correspond à celle indiquée sur l'appareil.
- **Ne plongez jamais l'appareil dans l'eau ou autres liquides.**
- **Évitez de poser l'appareil en un lieu non à l'abri de l'eau ou d'autres liquides.**
- **Il est interdit de plonger la main dans l'eau pour récupérer l'appareil électrique. Détachez immédiatement la prise de courant.**
- Toujours placer l'appareil sur une surface plane, stable et résistante à la chaleur
- Après l'emploi, éteignez toujours l'appareil et débranchez-le. Ne retirez pas la fiche de la prise de courant en tirant sur le cordon.

- N'enlevez pas la fiche de la prise de courant avec les mains mouillées.
- Laissez toujours l'appareil refroidir avant de le ranger et n'enroulez jamais le cordon autour de l'appareil. Contrôlez périodiquement que le cordon n'est pas endommagé.
- Evitez de mettre le cordon d'alimentation en contact avec les pièces en métal lorsque ces dernières sont encore chaudes.
- Utilisez l'appareil sur des cheveux secs.
- N'utilisez pas l'appareil sur des perruques à cheveux synthétiques.
- Les éléments qui constituent l'emballage de l'appareil (sacs plastique, boîte en carton etc) ne doivent pas être laissés à portée des enfants car ils représentent une source de danger potentiel.
- Cet appareil ne doit être utilisé que pour l'emploi pour lequel il a été expressément conçu. Tout autre usage est impropre et donc dangereux. Le fabricant ne peut être considéré comme responsable des éventuels dommages dérivant d'un usage impropre et erroné.
- N'utilisez pas de laques ou autres produits pour cheveux lorsque l'appareil est en marche.
- Maintenez les plaques propres et exemptes de poussière, aérosols pour cheveux, gels coiffants, etc.
- Pour éviter toute surchauffe dangereuse, il est recommandé de dérouler entièrement le cordon d'alimentation.
- Le niveau de pression sonore des fers à lisser pour usage professionnel est inférieur à 70 dB(A).
- Désignation de l'appareil (voir données techniques du produit)
HAND-HELD HAIR STRAIGHTENER FOR PROFESSIONAL USE
Traduction :
FER À LISSER PORTABLE POUR USAGE PROFESSIONNEL

MODE D'EMPLOI

Composants (Fig. 1,2)

1. Appareil
2. Plaques lissantes
3. Interrupteur ON-OFF et pour le réglage de la température (Type 101.20, 101.20/I, 101.30, 101.30/I)
4. Afficheur (Type 101.20, 101.20/I, 101.30, 101.30/I)
5. Interrupteur ON-OFF (Type 101.03, 101.03/I, 101.04, 101.04/I, 101.31, 101.31/I, 101.32, 101.32/I)
6. Voyant lumineux ON-OFF (Type 101.03, 101.03/I, 101.04, 101.04/I, 101.31, 101.31/I, 101.32, 101.32/I)
7. Accessoire Thermocap

Mise en marche et arrêt de l'appareil

Type 101.20, 101.20/I, 101.30, 101.30/I

Pour allumer l'appareil, introduire la fiche dans la prise de courant et appuyer sur le bouton ON-OFF (fig. 1, réf. 3) pendant une seconde. L'allumage de l'appareil est signalé par un bip court.

Pour l'éteindre, appuyer de nouveau sur le bouton ON-OFF (fig. 1, réf. 3) pendant 2 secondes et débrancher la fiche de la prise de courant. L'extinction est signalée par un bip.

Type 101.03, 101.03/I, 101.04, 101.04/I, 101.31, 101.31/I, 101.32, 101.32/I

Pour allumer l'appareil, il suffit de brancher la fiche sur la prise de courant et de positionner l'interrupteur (fig. 1, réf. 5) sur I. Pour l'éteindre, positionner l'interrupteur (fig. 1, réf. 5) sur O et débrancher la fiche de la prise.

Sélection de la température

Uniquement pour les Type 101.20, 101.20/I, 101.30, 101.30/I

Pour sélectionner le niveau de température, après avoir allumé l'appareil, appuyer une ou plusieurs fois sur le bouton ON-OFF (fig. 1, réf. 3) jusqu'à ce que l'écran (fig. 1, réf. 4) affiche la température souhaitée. La valeur configurée clignote jusqu'à ce que la température sélectionnée soit atteinte.

Plusieurs températures sont disponibles en fonction du type de cheveux à traiter, d'un minimum de 120°C (250°F) à un maximum de 230°C. (450°F)

Attendre que la température atteigne la valeur sélectionnée et procéder au traitement des cheveux.

EXTINCTION AUTOMATIQUE DE SÉCURITÉ et FONCTION «HOT»

Uniquement pour les Type 101.20, 101.20/I, 101.30, 101.30/I

L'appareil s'éteint automatiquement 60 minutes après avoir été allumé ou après le dernier réglage de la température.

Au bout de ce délai, 5 bips signalent l'extinction imminente de l'appareil. Pour poursuivre le fonctionnement pendant encore 60 min, appuyer sur le bouton ON-OFF (fig. 1, réf. 3) à l'émission de ces bips.

Si le bouton d'allumage (fig. 1, réf. 3) n'est pas à nouveau enfoncé au bout des 60 minutes, un bip prolongé (2 s) signale que l'appareil s'est éteint et les plaques de lissage (fig. 1, réf. 2) commencent à se refroidir ; l'écran affiche la température de 120°C (250°F) jusqu'à ce que le niveau atteint permette d'éviter toute brûlure en cas de contact avec les plaques métalliques. (Fonction « HOT »)

FONCTION MÉMOIRE

Uniquement pour les Type 101.20, 101.20/I, 101.30, 101.30/I

La dernière température configurée avant l'extinction de l'appareil restera mémorisée jusqu'au prochain allumage.

FONCTION ION

Uniquement pour les Type 101.20/I, 101.03/I, 101.04/I, 101.30/I, 101.31/I, 101.32/I

Cet appareil dispose de la fonction "ION" toujours active tant que l'appareil est en marche. L'appareil produit un flux de ions négatifs.

Un bourdonnement léger du générateur d'ions est un phénomène normal.

Que sont les ions?

Les ions sont des particules chargées électriquement présentes dans la nature. Les ions chargés négativement aident à purifier l'air en neutralisant les ions chargés positivement qui, au contraire, contribuent à sa détérioration en retenant dans l'atmosphère une grande partie des agents polluants.

On relève une grande abondance d'ions avec charge négative après un orage ou bien à la mer ou à la montagne, à proximité de cascades et de cours d'eau, où l'on ressent des sensations de bien-être car l'air y est plus pur, naturel, revitalisant.

Meilleure hydratation des cheveux

Les ions avec charge négative aident à préserver la juste hydratation des cheveux.

Effet baume sur les cheveux

L'hydratation favorise le conditionnement de vos cheveux; elle a un effet régénérant et les rend plus doux et faciles à peigner, plus volumineux et plus brillants.

Pas de charge électrostatique ou «fly away»

Les ions avec charge négative aident à réduire l'électricité statique et l'effet «fly away» des cheveux (cheveux frisés) et les ondulations.

Important:

ne laissez jamais l'appareil sans surveillance lorsqu'il est allumé.

CONSEILS POUR L'EMPLOI

- Températures conseillées:
 - jusqu'à 150°C (305°F) pour cheveux fins, lisses et colorés
 - jusqu'à 180°C (360°F) pour cheveux fins et ondulés
 - jusqu'à 230°C (450°F) pour cheveux épais et frisés
- Les cheveux propres et secs permettent d'obtenir les meilleures coiffures.
- Lorsque vous utilisez l'appareil pour la première fois, exercez-vous sur quelques mèches et non sur toute la chevelure.

Cet appareil a été étudié spécialement pour défriser, lisser et mettre en plis vos cheveux en leur donnant un aspect brillant. Avant d'utiliser l'appareil attendez qu'il ait atteint la température désirée. Séparer les cheveux en mèches de 5 cm environ de large. Placez une mèche à la fois entre les plaques lissantes et les refermez en serrant fortement le manche d'une main.

Pour obtenir un **effet lissant**, faites glisser lentement les plaques sur les cheveux en partant de la racine jusqu'aux pointes (fig. 3). Si cela est nécessaire, répétez l'opération jusqu'à l'obtention de l'effet désiré. Pour **friser les cheveux ou réaliser de belles boucles**, suivez l'exemple des figures 4, 5 et 6.

Laissez les cheveux refroidir avant de les peigner ou de les brosser.

Important: l'effet lissant de la plaque peut persister à long terme si on utilise de façon prolongée et répétée l'appareil à haute température. Dans ce cas, les cheveux reprennent difficilement leur mouvement naturel.

Uniquement pour les Type 101.04, 101.04/I, 101.32, 101.32/I

Pour un effet frisé, prendre une mèche entre les plaques en partant de la racine. (fig. 7)

Maintenir les plaques au-dessus de chaque section pendant quelques secondes (Fig. 8).

Pour obtenir un effet ondulé continu, placer la plaque sur la dernière boucle de la section précédente (Fig. 9, 10). Laisser tel quel pour un fini plus effilé. Pour un effet plus doux, séparer les mèches avec les doigts ou brosser pour obtenir plus de volume.

Accessoire Thermocap

L'accessoire Thermocap (fig. 2, réf. 7) est un dispositif de protection thermique à utiliser pour fermer les plaques lissantes (fig. 1, réf. 2) avant de ranger l'appareil.

NETTOYAGE ET ENTRETIEN

Débranchez l'appareil avant de le nettoyer !

Le laisser refroidir avant de le nettoyer.

Vous pouvez nettoyer votre appareil à l'aide d'un chiffon humide, mais ne l'immergez jamais dans de l'eau ni dans tout autre liquide !

Cet appareil est conforme aux directives européennes 2014/30/EU, 2014/35/EU, 2011/65/EC, 2009/125/EC et au règlement (EC) N. 1275/2008.



GARANTIE

VALERA garantit l'appareil que vous venez d'acheter aux conditions suivantes:

- Les conditions de garantie applicables sont celles qui sont définies par notre distributeur officiel dans le pays d'achat. En Suisse et dans les pays de l'Union européenne, le délai de garantie est de 24 mois si l'acheteur final est un particulier (usage domestique) et de 12 mois si l'acheteur final est une entreprise ou un professionnel (usage professionnel). La période de garantie commence à courir à compter de la date d'achat de l'appareil. La date d'achat est la date qui figure sur le présent certificat de garantie dûment rempli et portant de cachet du vendeur ou sur la facture d'achat.
- La garantie n'est applicable que sous présentation de ce certificat de garantie ou du document d'achat.
- La garantie couvre l'élimination de tous les défauts s'étant vérifiés lors de la période de garantie dérivant de défauts de matériaux ou de fabrication prouvés. L'élimination des défauts de l'appareil peut s'effectuer soit en le réparant soit en le remplaçant. La garantie ne couvre pas les défauts ni les dommages provoqués par un branchement au réseau électrique non conforme aux normes, par un usage incorrect du produit et par le non-respect des Normes d'Utilisation.
- Toute autre revendication, de quelque nature que ce soit, est exclue, en particulier celle concernant le remboursement d'éventuels dommages en dehors de l'appareil, à l'exception de l'éventuelle responsabilité expressément définie par les lois en vigueur.
- Le service de garantie est réalisé gratuitement. Il ne représente pas une prolongation ni un nouveau départ de la période de garantie.
- La garantie échoit si l'appareil est altéré ou réparé par des personnes non autorisées.

En cas de panne, renvoyer l'appareil correctement emballé avec le certificat de garantie correctement daté et timbré par le vendeur à l'un de nos Centres d'Assistance agréés ou au magasin d'achat qui l'enverra à l'importateur officiel pour la réparation sous garantie.



Le symbole  sur le produit ou son emballage indique que ce produit ne peut être traité comme déchet ménager. Il doit être remis au point de collecte prévu à cet effet (collecte et recyclage du matériel électrique et électronique). En procédant à la mise à la casse réglementaire de l'appareil, nous préservons l'environnement et notre sécurité, s'assurant ainsi que les déchets seront traités dans des conditions appropriées. Pour obtenir plus de détails sur le recyclage de ce produit, veuillez prendre contact avec les services de votre commune ou le magasin où vous avez effectué l'achat.


VALERA est une marque enregistrée par Ligo Electric S.A. - Suisse

ISTRUZIONI PER L'USO - Istruzioni originali

Type 101.20, 101.20/I, 101.03, 101.03/I, 101.04, 101.04/I, 101.30, 101.30/I, 101.31, 101.31/I, 101.32, 101.32/I

Leggere attentamente queste istruzioni prima di utilizzare l'apparecchio - Disponibili anche su www.valera.com

AVVERTENZE DI SICUREZZA

- Importante: Per garantire una protezione supplementare, si consiglia di installare nell'impianto elettrico con il quale viene alimentato l'apparecchio un interruttore differenziale con una corrente di intervento non superiore a 30 mA. Per maggiori informazioni rivolgersi all'elettrotecnico di fiducia.
- Assicurarci che l'apparecchio sia perfettamente asciutto prima di utilizzarlo.
-  • **ATTENZIONE:** Non utilizzare questo apparecchio in prossimità di vasche da bagno, lavelli o altri recipienti che contengano acqua.
- Il presente apparecchio può essere utilizzato dai bambini a partire da 8 anni di età e da persone dalle ridotte capacità fisiche, sensoriali o mentali, oppure con mancanza di esperienza e di conoscenza se si trovano sotto adeguata sorveglianza, oppure se sono stati istruiti circa l'uso dell'apparecchio in modo sicuro e se si rendono conto dei pericoli correlati.
- I bambini non devono giocare con l'apparecchio.
- Le operazioni di pulizia e di manutenzione non devono essere effettuate dai bambini senza sorveglianza.
- Pericolo di ustioni. Tenere l'apparecchio lontano dalla portata dei bambini, in particolare durante l'uso e il raffreddamento
- Evitare il contatto delle superfici calde dell'apparecchio con il viso, il collo o con altre parti del corpo. Maneggiare l'apparecchio tenendolo per l'impugnatura.
- Quando l'apparecchio è collegato all'alimentazione elettrica non lasciarlo mai incustodito.
- Fate raffreddare le parti metalliche prima di toccarle.
- Non utilizzare il vostro apparecchio se presenta un'anomalia. Non cercare di riparare l'apparecchio elettrico da soli, bensì rivolgersi ad un tecnico autorizzato. Se il cavo di alimentazione è danneggiato, deve essere sostituito dal costruttore o dal suo servizio assistenza tecnica o comunque da una persona con qualifica simile, in modo da prevenire ogni rischio.
- Quando l'apparecchio è usato in un bagno, scollegarlo dall'alimentazione elettrica dopo l'uso, perché la vicinanza all'acqua rappresenta un pericolo anche quando l'apparecchio è spento.
- Collegare l'apparecchio solo a corrente alternata e controllare che la tensione di rete corrisponda a quella indicata sull'apparecchio.
- **Non immergere mai l'apparecchio nell'acqua o in altri liquidi.**
- **Non appoggiare l'apparecchio in un luogo da cui potrebbe cadere nell'acqua o in altro liquido.**
- **Non cercare di recuperare un apparecchio elettrico caduto nell'acqua: staccare subito la spina dalla presa di corrente.**
- Collocare sempre l'apparecchio su una superficie piana e stabile, resistente al calore
- Dopo l'uso spegnere sempre l'apparecchio e staccare la spina dalla presa di corrente. Non estrarre la spina dalla presa di corrente tirando il cordone.

- Non estrarre la spina dalla presa di corrente se si hanno le mani bagnate.
- Fare sempre raffreddare l'apparecchio prima di riporlo e non avvolgere mai il cordone intorno all'apparecchio. Periodicamente controllare che il cavo non sia danneggiato.
- Evitare che il cavo venga a contatto con le parti in metallo quando queste sono ancora calde.
- Utilizzare l'apparecchio su capelli asciutti.
- Non utilizzare l'apparecchio su parrucche con capelli di materiale sintetico.
- Prestare attenzione quando si usa l'apparecchio alla massima temperatura.
- Gli elementi che costituiscono l'imballo dell'apparecchio (sacchetti di plastica, scatola di cartone, ecc.) non devono essere lasciati alla portata dei bambini in quanto potenziale fonte di pericolo.
- Questo apparecchio deve essere destinato solo all'uso per il quale è stato espressamente concepito. Ogni altro uso è da considerarsi improprio, quindi pericoloso. Il costruttore non può essere considerato responsabile per eventuali danni derivanti da uso improprio o erraneo.
- Non usare spray per capelli con l'apparecchio in funzione.
- Mantenere le piastre pulite e prive di polvere, spray per capelli, gel fissativi, etc.
- Per evitare un surriscaldamento pericoloso, si raccomanda di svolgere il cavo di alimentazione per tutta la sua lunghezza.
- Il livello di pressione sonora per le piastre stiracapelli per uso professionale è inferiore a 70 dB(A).
- Designazione apparecchio (vedi dati tecnici prodotto)
HAND-HELD HAIR STRAIGHTENER FOR PROFESSIONAL USE
Traduzione:
PIASTRA STIRACAPELLI PORTATILE PER USO PROFESSIONALE

MODALITÀ D'USO

Componenti (Fig. 1, 2)

1. Apparecchio
2. Piastre stiranti
3. Interruttore ON-OFF e di regolazione della temperatura (Type 101.20, 101.20/I, 101.30, 101.30/I)
4. Display (Type 101.20, 101.20/I, 101.30, 101.30/I)
5. Interruttore ON-OFF (Type 101.03, 101.03/I, 101.04, 101.04/I, 101.31, 101.31/I, 101.32, 101.32/I)
6. Indicatore luminoso ON-OFF (Type 101.03, 101.03/I, 101.04, 101.04/I, 101.31, 101.31/I, 101.32, 101.32/I)
7. Accessorio Thermocap

Accensione e spegnimento dell'apparecchio

Type 101.20, 101.20/I, 101.30, 101.30/I

Per accendere l'apparecchio inserire la spina nella presa di corrente e premere il pulsante ON-OFF (fig. 1, rif. 3) per un secondo. L'accensione dell'apparecchio viene segnalata da una breve segnale acustico.

Per spegnerlo, premere nuovamente il pulsante ON-OFF (fig. 1, rif. 3) per 2 secondi e disinserire la spina dalla presa. Lo spegnimento viene segnalato da un segnale acustico.

Type 101.03, 101.03/I, 101.04, 101.04/I, 101.31, 101.31/I, 101.32, 101.32/I

Per accendere l'apparecchio è sufficiente inserire la spina nella presa di corrente e posizionare l'interruttore (fig. 1, rif. 5) su I. Per spegnerlo, posizionare l'interruttore (fig. 1, rif. 5) su O e disinserire la spina dalla presa.

Selezione temperatura

Solo per i Type 101.20, 101.20/I, 101.30, 101.30/I

Per selezionare la temperatura d'impiego, dopo aver acceso l'apparecchio, premere una o più volte il pulsante ON-OFF (fig. 1, rif. 3) fino a quando sul display (fig. 1, rif. 4) non sarà indicata la temperatura desiderata. Il valore impostato lampeggia fino al raggiungimento della temperatura selezionata.

Si possono scegliere differenti temperature a seconda del tipo di capelli da trattare, da un minimo di 120°C (250°F) ad un massimo di 230°C. (450°F)

Attendere il raggiungimento della temperatura selezionata e procedere all'operazione di trattamento dei capelli.

SPEGNIMENTO AUTOMATICO DI SICUREZZA e FUNZIONE "HOT"

Solo per i Type 101.20, 101.20/I, 101.30, 101.30/I

L'apparecchio si spegne automaticamente dopo 60 minuti dall'accensione o dall'ultima regolazione della temperatura.

Allo scadere di questo periodo, 5 segnalazioni acustiche avvertono che l'apparecchio si sta per spegnere. Durante queste segnalazioni, se si desidera ripristinare il funzionamento per altri 60 min., premere il pulsante ON-OFF (fig. 1, rif. 3).

Allo scadere dei 60 minuti, se non viene nuovamente attivato il pulsante di accensione (fig. 1, rif. 3), un segnale acustico più prolungato (2 sec.) avvisa che l'apparecchio si è spento e le piastre stiranti (fig. 1, rif. 2) incominciano a raffreddarsi; sul display lampeggia la temperatura di 120°C (250°F) fino al raggiungimento di una temperatura tale da evitare di scottarsi al contatto con le piastre metalliche. (Funzione "HOT")

FUNZIONE MEMORIA

Solo per i Type 101.20, 101.20/I, 101.30, 101.30/I
Allo spegnimento dell'apparecchio rimane memorizzata l'ultima temperatura selezionata che rimane impostata alla successiva accensione.

FUNZIONE ION

Solo per i Type 101.20/I, 101.03/I, 101.04/I, 101.30/I, 101.31/I, 101.32/I

Questo prodotto dispone della funzione "ION" sempre attiva durante il funzionamento. L'apparecchio produce un flusso di ioni negativi.

Un leggero ronzio, eventualmente emesso dal generatore di ioni, è da considerarsi normale.

Cosa sono gli ioni?

Gli ioni sono particelle cariche elettricamente presenti in natura. Gli ioni carichi negativamente aiutano a purificare l'aria neutralizzando gli ioni carichi positivamente che, al contrario, contribuiscono al suo deterioramento trattenendo nell'atmosfera gran parte degli agenti inquinanti.

Si rileva una grande abbondanza di ioni con carica negativa dopo un temporale oppure al mare o in montagna in prossimità di cascate e corsi d'acqua dove si percepiscono sensazioni di benessere perché si è in presenza di aria più pura, naturale, rivitalizzante.

Migliore idratazione dei capelli

Gli ioni con carica negativa aiutano a preservare la giusta idratazione dei capelli.

Effetto balsamo sui capelli

La migliore idratazione favorisce il condizionamento dei vostri capelli, ha un effetto rigenerante e li rende più morbidi e facili da pettinare, con più volume e lucentezza.

No carica elettrostatica o "fly away"

Gli ioni con carica negativa aiutano a ridurre l'elettricità statica e l'effetto "fly away" dei capelli (capelli rizzi) e le increspature.

Importante: non lasciare l'apparecchio incustodito durante il suo funzionamento.

CONSIGLI PER L'USO

- Temperature consigliate:
fino a 150°C (305°F) per capelli fini, lisci, colorati
fino a 180°C (360°F) per capelli fini, ondulati
fino a 230°C (450°F) per capelli grossi, ricci
- Capelli appena lavati e asciugati permettono lo styling migliore.
- Le prime volte che si usa l'apparecchio è consigliabile esercitarsi su piccole aree della capigliatura.

Questo apparecchio è stato studiato per raddrizzare e lisciare e mettere in piega i vostri capelli conferendo ad essi maggiore brillantezza. Per utilizzare l'apparecchio operare come segue: lasciare che l'apparecchio raggiunga la temperatura desiderata. Separare i capelli in ciocche di ca. 5 cm di larghezza. Inserire una ciocca alla volta tra le piastre stiranti e richiudere le stesse stringendo con forza i manici. Per ottenere un **effetto lisciante**: fare scivolare lentamente le piastre sui capelli partendo dalla base fino alle punte (fig. 3) senza fermarsi per più di 2 secondi. Se necessario ripetere l'operazione fino al raggiungimento dell'effetto voluto. Per realizzare **ricci e boccoli** seguire l'esempio delle figure 4, 5, 6. Lasciare raffreddare i capelli prima di pettinare o spazzolare.

Importante: con l'uso prolungato e ripetuto dell'apparecchio ad alte temperature l'effetto lisciante della piastra può permanere a lungo. In questi casi il capello fatica a tornare alla sua piega naturale.

Solo per i Type 101.04, 101.04/I, 101.32, 101.32/I

Per realizzare l'effetto Frisé, separare una ciocca e inserirla nella piastra partendo dalle radici. (fig. 7).

Mantenere l'apparecchio in posizione per alcuni secondi su ogni sezione della ciocca. (fig. 8).

Per un effetto ondulato continuo, porre la piastra sull'ultima ondulazione della sezione precedente. (fig. 9,10) Se si desidera un effetto ondulato ben definito, non toccare i capelli dopo l'operazione. Per un effetto più morbido, aprire le ciocche con le dita o spazzolare i capelli per aumentarne il volume.

Accessorio Thermocap

L'accessorio Thermocap (fig. 2, rif. 7) è una protezione termica da utilizzare per la chiusura delle piastre stiranti (fig. 1, rif. 2) quando l'apparecchio va riposto dopo l'uso.

PULIZIA E MANUTENZIONE

Prima di pulire l'apparecchio staccare sempre la spina dalla presa di corrente!

Lasciare raffreddare l'apparecchio prima di procedere alla sua pulizia.

Potete pulire il vostro apparecchio con un panno umido, ma non immergetelo mai nell'acqua o in qualsiasi altro liquido!

Questo apparecchio è conforme alle direttive europee 2014/30/EU, 2014/35/EU, 2011/65/EU e (EU) 2015/863, 2009/125/EC ed al regolamento (EC) N. 1275/2008




GARANZIA

VALERA garantisce l'apparecchio da Voi acquistato alle seguenti condizioni:

1. Sono valide le condizioni di garanzia stabilite dal nostro distributore ufficiale nel paese di acquisto. In Svizzera e nei paesi dell'Unione Europa il periodo di garanzia è di 24 mesi se l'acquirente finale è persona privata (uso domestico) e di 12 mesi se l'acquirente finale è società o impresa o professionista (uso professionale). Il periodo di garanzia parte dalla data di acquisto dell'apparecchio. Come data di acquisto fa stato la data risultante o dal presente certificato di garanzia debitamente compilato e timbrato dal venditore o dal documento di acquisto.
2. La garanzia è applicabile solo dietro presentazione del presente certificato di garanzia o del documento di acquisto.
3. La garanzia copre l'eliminazione di tutti quei difetti insorti durante il periodo di garanzia dovuti a comprovati difetti di materiali o di fabbricazione. L'eliminazione dei difetti dell'apparecchio può avvenire o riparandolo o sostituendo il prodotto stesso. La garanzia non copre difetti o danni causati da allacciamento alla rete elettrica non conforme alle norme, da uso improprio del prodotto come anche da non osservanza delle Norme d'Uso.
4. È esclusa ogni altra rivendicazione di qualsiasi natura, in particolare di risarcimento di eventuali danni al di fuori dell'apparecchio, eccettuata la eventuale responsabilità espressamente stabilita dalle leggi vigenti.
5. Il servizio di garanzia viene eseguito senza addebito; esso non costituisce un prolungamento o un nuovo inizio del periodo di garanzia.
6. La garanzia decade se l'apparecchio viene manomesso o riparato da persone non autorizzate.

In caso di guasto, ritornate l'apparecchio ben imballato e con il certificato di garanzia regolarmente datato e timbrato dal venditore a uno dei nostri Centri Assistenza autorizzati o al Vostro negoziante che provvederà a inviarlo all'importatore ufficiale per la riparazione in garanzia.



Il simbolo  sul prodotto o sulla confezione indica che il prodotto non deve essere considerato come un normale rifiuto domestico, ma deve essere portato nel punto di raccolta appropriato per il riciclaggio di apparecchiature elettriche ed elettroniche. Provvedendo a smaltire questo prodotto in modo appropriato, si contribuisce a evitare potenziali conseguenze negative per l'ambiente e per la salute, che potrebbero derivare da uno smaltimento inadeguato del prodotto. Per informazioni più dettagliate sul riciclaggio di questo prodotto, contattare l'ufficio comunale, il servizio locale di smaltimento rifiuti o il negozio in cui è stato acquistato il prodotto.

VALERA è un marchio registrato della Ligo Electric S.A. - Svizzera